

10

9

8

7

6

5

4

3

2

1

F

F

E

E

D

D

C

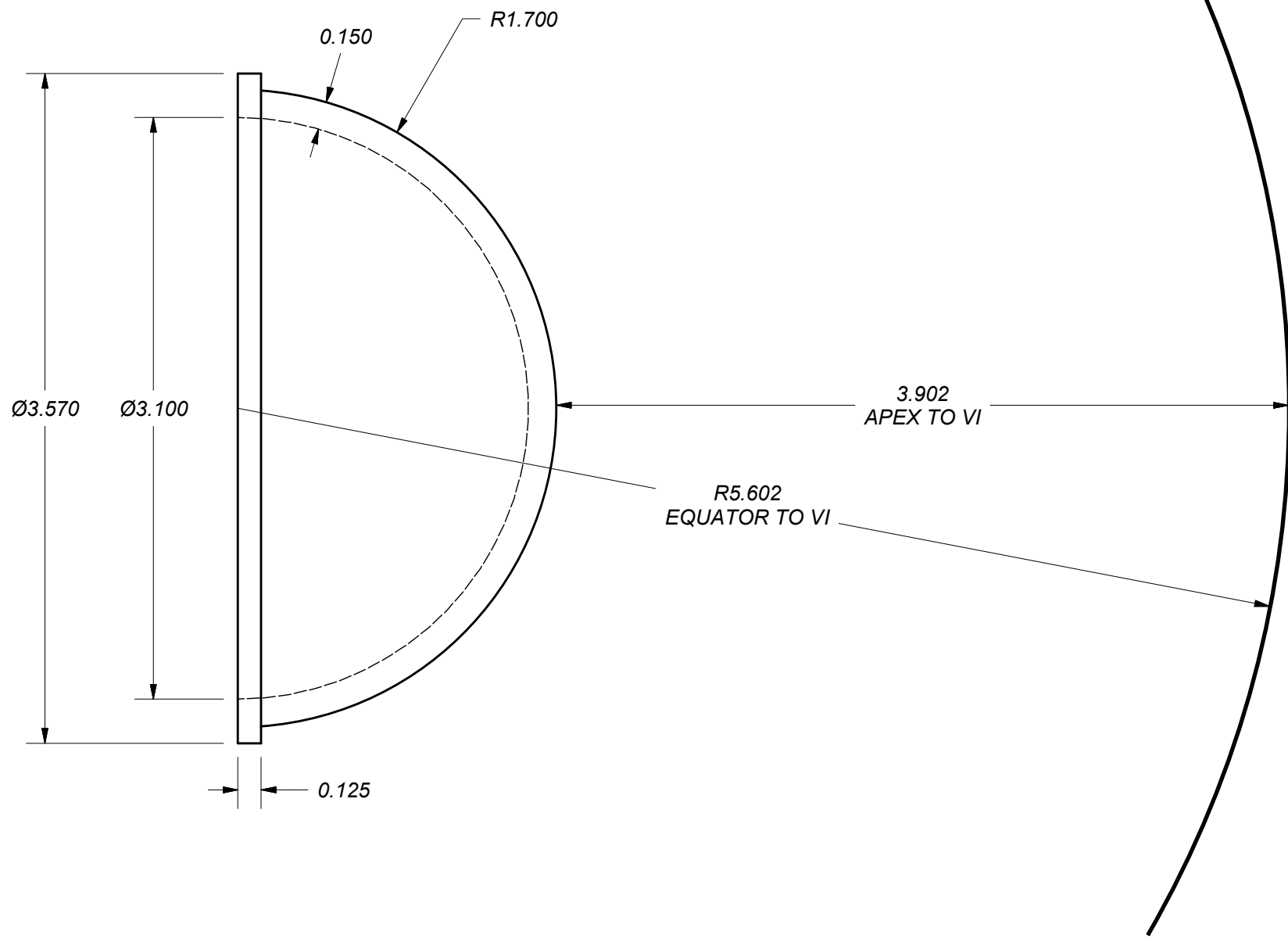
C

B

B

A

A



PART NO. *Dome 3 Virtual Image*

MATERIAL: *Acrylic, Clear*

NOTES:

- 1. *MATL: Perspex Acrylic*
- 2. *VI = VIRTUAL IMAGE*
- 3. *'RULE OF THUMB' FOR VIRTUAL IMAGE: (4*RADIUS)-(4*THICKNESS) FROM EQUATOR*

ELECTRONIC DOCUMENT DO NOT ACCEPT MANUAL CHANGES		REFERENCE DESIGNATOR		THE SEXTON CORPORATION 2130 DAVCOR STREET SE, SALEM, OR 97302-1510 USA	
STATEMENT OF CONFIDENTIALITY THIS DOCUMENT IS THE PROPERTY OF THE SEXTON CORPORATION. IT IS ISSUED IN STRICT CONFERENCE AND SHALL NOT BE REPRODUCED, COPIED OR USED AS THE BASIS FOR THE MANUFACTURE OR SALE OF APPARATUS WITHOUT PRIOR WRITTEN PERMISSION.		DESIGN	DATE	TITLE	
		<i>K FLETCHER</i>	<i>3/12/2015</i>		
UNLESS OTHERWISE NOTED: DIMENSIONS IN INCHES		DRAFT	DATE	ACRYLIC DOME 3.4 FLANGE	
		<i>K FLETCHER</i>	<i>3/12/2015</i>		
TOLERANCES:		CHECKED	DATE	SIZE	DWG NO
		<i>J CHILDRESS</i>	<i>3/12/2015</i>	B	<i>DOME_3.4_VI</i>
DECIMAL ANGLE FRACTION		APPROVED	DATE	REV	
.x ± 0.03 ± 1 deg ± 1/32		<i>J CHILDRESS</i>	<i>3/12/2015</i>	<i>0</i>	
.xx ± 0.01 ± .50 deg		MFG APPROVAL	DATE	NOT TO SCALE	
.xxx ± 0.005 ± .100 deg		BREAK ALL SHARP EDGES R0.02 MIN		SHEET 1 OF 1	

10

9

8

7

6

5

4

3

2

1